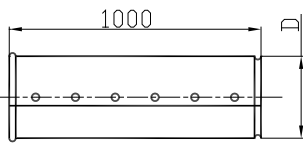
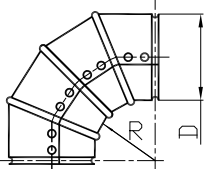
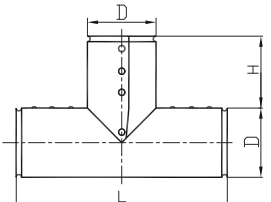
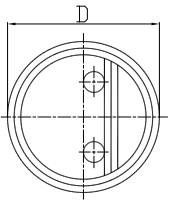




Galvanized steel 0,5 mm thick\*

Casings for pipes	Casings for bends **	Casings for tees	End caps ***
 <p>6 apertures Ø 3,2 mm under self-tapping screws. Mounting direction – two-sided.</p>	 <p>2 apertures Ø 3,2 mm in each segment under self-tapping screws. R – average radius of a bend selected in accordance with the «Energopack® bends selection Table».</p>	 <p>Apertures Ø 3,2 mm under self-tapping screws in quantity depending on a tee diameter. Mounting direction – three-sided.</p>	 <p>Consist of 2 parts. 2 apertures Ø 3,2 mm under self-tapping screws.</p>

D, mm	Designation	Article	Price without VAT, RUB/piece	Designation	Price without VAT, RUB/piece	Designation	Article	Price without VAT, RUB/piece	Designation	Article	Price without VAT, RUB/piece
80	T-CT 80/05	EPKT08005ST	598,87	O-CT 80/05 (R ...)	525,16	TP-CT 80/05	EPKTR08005ST	737,20	3-CT 80/05	EPKZ08005ST	206,19
90	T-CT 90/05	EPKT09005ST	612,65	O-CT 90/05 (R ...)	561,49	TP-CT 90/05	EPKTR09005ST	820,81	3-CT 90/05	EPKZ09005ST	208,11
100	T-CT 100/05	EPKT10005ST	641,81	O-CT 100/05 (R ...)	606,14	TP-CT 100/05	EPKTR10005ST	898,64	3-CT 100/05	EPKZ10005ST	221,74
110	T-CT 110/05	EPKT11005ST	652,21	O-CT 110/05 (R ...)	648,30	TP-CT 110/05	EPKTR11005ST	912,24	3-CT 110/05	EPKZ11005ST	227,56
120	T-CT 120/05	EPKT12005ST	683,49	O-CT 120/05 (R ...)	685,86	TP-CT 120/05	EPKTR12005ST	958,97	3-CT 120/05	EPKZ12005ST	237,30
130	T-CT 130/05	EPKT13005ST	725,16	O-CT 130/05 (R ...)	740,19	TP-CT 130/05	EPKTR13005ST	1015,35	3-CT 130/05	EPKZ13005ST	243,13
140	T-CT 140/05	EPKT14005ST	756,45	O-CT 140/05 (R ...)	776,08	TP-CT 140/05	EPKTR14005ST	1060,08	3-CT 140/05	EPKZ14005ST	248,98
150	T-CT 150/05	EPKT15005ST	783,53	O-CT 150/05 (R ...)	829,18	TP-CT 150/05	EPKTR15005ST	1099,01	3-CT 150/05	EPKZ15005ST	256,73
160	T-CT 160/05	EPKT16005ST	854,36	O-CT 160/05 (R ...)	861,29	TP-CT 160/05	EPKTR16005ST	1196,27	3-CT 160/05	EPKZ16005ST	266,49
170	T-CT 170/05	EPKT17005ST	883,52	O-CT 170/05 (R ...)	913,13	TP-CT 170/05	EPKTR17005ST	1239,06	3-CT 170/05	EPKZ17005ST	270,38
180	T-CT 180/05	EPKT18005ST	960,62	O-CT 180/05 (R ...)	939,46	TP-CT 180/05	EPKTR18005ST	1344,06	3-CT 180/05	EPKZ18005ST	278,18
190	T-CT 190/05	EPKT19005ST	991,91	O-CT 190/05 (R ...)	990,08	TP-CT 190/05	EPKTR19005ST	1388,81	3-CT 190/05	EPKZ19005ST	280,09
200	T-CT 200/05	EPKT20005ST	1021,05	O-CT 200/05 (R ...)	1040,63	TP-CT 200/05	EPKTR20005ST	1429,65	3-CT 200/05	EPKZ20005ST	282,06
210	T-CT 210/05	EPKT21005ST	1054,43	O-CT 210/05 (R ...)	1091,21	TP-CT 210/05	EPKTR21005ST	1476,33	3-CT 210/05	EPKZ21005ST	285,94
220	T-CT 220/05	EPKT22005ST	1091,87	O-CT 220/05 (R ...)	1141,77	TP-CT 220/05	EPKTR22005ST	1528,88	3-CT 220/05	EPKZ22005ST	289,80
230	T-CT 230/05	EPKT23005ST	1129,41	O-CT 230/05 (R ...)	1192,35	TP-CT 230/05	EPKTR23005ST	1581,36	3-CT 230/05	EPKZ23005ST	293,71
240	T-CT 240/05	EPKT24005ST	1173,17	O-CT 240/05 (R ...)	1240,97	TP-CT 240/05	EPKTR24005ST	1643,62	3-CT 240/05	EPKZ24005ST	295,65
250	T-CT 250/05	EPKT25005ST	1229,45	O-CT 250/05 (R ...)	1291,53	TP-CT 250/05	EPKTR25005ST	1723,37	3-CT 250/05	EPKZ25005ST	299,54
260	T-CT 260/05	EPKT26005ST	1289,82	O-CT 260/05 (R ...)	1342,13	TP-CT 260/05	EPKTR26005ST	1806,99	3-CT 260/05	EPKZ26005ST	306,53
270	T-CT 270/05	EPKT27005ST	1352,40	O-CT 270/05 (R ...)	1392,69	TP-CT 270/05	EPKTR27005ST	1894,52	3-CT 270/05	EPKZ27005ST	314,01
280	T-CT 280/05	EPKT28005ST	1414,88	O-CT 280/05 (R ...)	1466,62	TP-CT 280/05	EPKTR28005ST	1980,11	3-CT 280/05	EPKZ28005ST	319,60
290	T-CT 290/05	EPKT29005ST	1477,43	O-CT 290/05 (R ...)	1536,65	TP-CT 290/05	EPKTR29005ST	2071,55	3-CT 290/05	EPKZ29005ST	324,03
300	T-CT 300/05	EPKT30005ST	1542,00	O-CT 300/05 (R ...)	1663,07	TP-CT 300/05	EPKTR30005ST	2161,00	3-CT 300/05	EPKZ30005ST	330,45
310	T-CT 310/05	EPKT31005ST	1606,60	O-CT 310/05 (R ...)	1694,23	TP-CT 310/05	EPKTR31005ST	2254,35	3-CT 310/05	EPKZ31005ST	337,90
320	T-CT 320/05	EPKT32005ST	1675,35	O-CT 320/05 (R ...)	1902,31	TP-CT 320/05	EPKTR32005ST	2345,80	3-CT 320/05	EPKZ32005ST	345,27
330	T-CT 330/05	EPKT33005ST	1739,98	O-CT 330/05 (R ...)	1937,35	TP-CT 330/05	EPKTR33005ST	2441,09	3-CT 330/05	EPKZ33005ST	353,72
340	T-CT 340/05	EPKT34005ST	1810,78	O-CT 340/05 (R ...)	1980,11	TP-CT 340/05	EPKTR34005ST	2534,47	3-CT 340/05	EPKZ34005ST	362,14
350	T-CT 350/05	EPKT35005ST	1879,58	O-CT 350/05 (R ...)	2036,50	TP-CT 350/05	EPKTR35005ST	2631,72	3-CT 350/05	EPKZ35005ST	370,42

\* Under the order production of casings of other standard sizes and forms, including from aluminum and stainless steel is possible.

\*\* Selection of metal covers shall begin with a choice of a standard size of bends. The type of bend is selected according to «Energopack® bends selection Table» depending on the outer diameter of the isolated pipeline and thickness of insulation layer.

\*\*\* The end cap can be used for transition to smaller diameter. For this purpose, on the center of a cap the opening of the necessary size is cut out.

**Accessories**

Item	Article	Unit of measurement	Price without VAT, RUB
Self-tapping screws Energopack® 150 pcs.	EPKSCREW150	can	325,43

Price list dd. March 9, 2022

**Energopack® bends selection Table**

Outer diameter of the pipeline, mm, no more	Thickness of insulating layer, mm					
	9-10		13-15		20	
	Standard size of bend	Article	Standard size of bend	Article	Standard size of bend	Article
32			80 (R 30)	EPKO08005030ST	90 (R 30)	EPKO09005030ST
38	80 (R 30)	EPKO08005030ST	90 (R 30)	EPKO09005030ST	110 (R 30)	EPKO11005030ST
45	80 (R 30)	EPKO08005030ST	90 (R 30)	EPKO09005030ST	110 (R 30)	EPKO11005030ST
57	90 (R 35)	EPKO09005035ST	100 (R 30)	EPKO10005030ST	120 (R 30)	EPKO12005030ST
76	100 (R 50)	EPKO10005050ST	120 (R 45)	EPKO12005045ST	130 (R 40)	EPKO13005040ST
89	120 (R 65)	EPKO12005065ST	130 (R 60)	EPKO13005060ST	150 (R 55)	EPKO15005055ST
108	140 (R 85)	EPKO14005085ST	150 (R 80)	EPKO15005080ST	170 (R 75)	EPKO17005075ST
114	150 (R 80)	EPKO15005080ST	160 (R 75)	EPKO16005075ST	170 (R 70)	EPKO17005070ST
133	170 (R 110)	EPKO17005110ST	180 (R 105)	EPKO18005105ST	190 (R 100)	EPKO19005100ST
159	200 (R 135)	EPKO20005135ST	210 (R 130)	EPKO21005130ST	220 (R 125)	EPKO22005125ST
168	210 (R 130)	EPKO21005130ST	210 (R 125)	EPKO21005125ST	220 (R 120)	EPKO22005120ST
219	250 (R 180)	EPKO25005180ST	250 (R 175)	EPKO25005175ST	270 (R 170)	EPKO27005170ST
273	300 (R 225)	EPKO30005225ST	310 (R 220)	EPKO31005220ST	320 (R 215)	EPKO32005215ST
325	350 (R 275)	EPKO35005275ST				

Outer diameter of the pipeline, mm, no more	Thickness of insulating layer, mm					
	23-25		30		33-35	
	Standard size of bend	Article	Standard size of bend	Article	Standard size of bend	Article
32	100 (R 30)	EPKO10005030ST	110 (R 30)	EPKO11005030ST	120 (R 30)	EPKO12005030ST
38	110 (R 30)	EPKO11005030ST	120 (R 30)	EPKO12005030ST	120 (R 30)	EPKO12005030ST
45	110 (R 30)	EPKO11005030ST	120 (R 30)	EPKO12005030ST	130 (R 30)	EPKO13005030ST
57	120 (R 30)	EPKO12005030ST	130 (R 30)	EPKO13005030ST	140 (R 30)	EPKO14005030ST
76	130 (R 35)	EPKO13005035ST	140 (R 30)	EPKO14005030ST	150 (R 30)	EPKO15005030ST
89	140 (R 50)	EPKO14005050ST	150 (R 45)	EPKO15005045ST	160 (R 40)	EPKO16005040ST
108	170 (R 70)	EPKO17005070ST	170 (R 65)	EPKO17005065ST	180 (R 60)	EPKO18005060ST
114	170 (R 65)	EPKO17005065ST	180 (R 60)	EPKO18005060ST	190 (R 55)	EPKO19005055ST
133	190 (R 95)	EPKO19005095ST	200 (R 90)	EPKO20005090ST	210 (R 85)	EPKO21005085ST
159	220 (R 120)	EPKO22005120ST	220 (R 115)	EPKO22005115ST	230 (R 110)	EPKO23005110ST
168	220 (R 115)	EPKO22005115ST	230 (R 110)	EPKO23005110ST	240 (R 105)	EPKO24005105ST
219	270 (R 165)	EPKO27005165ST	280 (R 160)	EPKO28005160ST	290 (R 155)	EPKO29005155ST
273	330 (R 210)	EPKO33005210ST	340 (R 205)	EPKO34005205ST	350 (R 200)	EPKO35005200ST

Outer diameter of the pipeline, mm, no more	Thickness of insulating layer, mm					
	40		45		50	
	Standard size of bend	Article	Standard size of bend	Article	Standard size of bend	Article
32	140 (R 30)	EPKO14005030ST	150 (R 30)	EPKO15005030ST	160 (R 30)	EPKO16005030ST
38	130 (R 30)	EPKO13005030ST	140 (R 30)	EPKO14005030ST	150 (R 30)	EPKO15005030ST
45	140 (R 30)	EPKO14005030ST	160 (R 30)	EPKO16005030ST	170 (R 30)	EPKO17005030ST
57	150 (R 30)	EPKO15005030ST	160 (R 30)	EPKO16005030ST	180 (R 30)	EPKO18005030ST
76	160 (R 30)	EPKO16005030ST	180 (R 30)	EPKO18005030ST	190 (R 30)	EPKO19005030ST
89	170 (R 35)	EPKO17005035ST	180 (R 30)	EPKO18005030ST	200 (R 30)	EPKO20005030ST
108	190 (R 55)	EPKO19005055ST	200 (R 50)	EPKO20005050ST	210 (R 45)	EPKO21005045ST
114	200 (R 50)	EPKO20005050ST	210 (R 45)	EPKO21005045ST	220 (R 40)	EPKO22005040ST
133	220 (R 80)	EPKO22005080ST	230 (R 75)	EPKO23005075ST	240 (R 70)	EPKO24005070ST
159	240 (R 105)	EPKO24005105ST	250 (R 100)	EPKO25005100ST	260 (R 95)	EPKO26005095ST
168	250 (R 100)	EPKO25005100ST	260 (R 95)	EPKO26005095ST	270 (R 90)	EPKO27005090ST
219	300 (R 150)	EPKO30005150ST	310 (R 145)	EPKO31005145ST	320 (R 140)	EPKO32005140ST



**ROLS  
ISOMARKET**